



ROTECH FOR RELIABILITY!

*Why Accept Anything Less?*

## SS 4000 Series Polypropylene Body Heavy Duty – Speedswitch

The SS 4000 series of Rotech shaft mounted Speedswitches are manufactured in an extremely tough and durable 30% glass fibre reinforced polypropylene housing suitable for the most demanding of environments.

The same unit as our PE4000 Series Shaft Encoder together with the added benefit of a built in speed trip adjustment over the chosen speed range.

Speed control trip set point in RPM adjustable over chosen speed range via internal control fitted under unit cover.

A wide range of number of pulses per revolution are available together with switched transistor and relay outputs. AC and DC supply voltages available.

Installation is simple & easy, with just one threaded hole required in the end of the shaft being monitored or fitted using the unique 'Mag-con' magnetic connector.



### FOR MONITORING:

- Speed
- Shaft stopped
- Distance
- Underspeed
- Direction
- Overspeed
- Belt slip
- Safety guards interlocking

### FEATURES:

- AC/DC Supply voltages
- Transistor/Relay outputs
- 1 to 40 pulses per revolution
- Totally self contained (no guards required)
- Maintenance free for maximum reliability
- Environment ingress-IP66
- -25 to +100 deg Celsius versions available

### MAG-CON MAGNETIC CONNECTOR

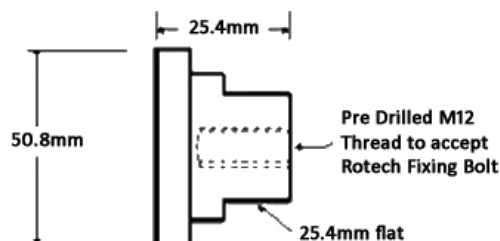
For quick and easy installation of Rotech shaft mounted sensors & encoders

#### **IMPORTANT NOTE:**

**MAXIMUM OPERATING SPEED IS 300RPM**

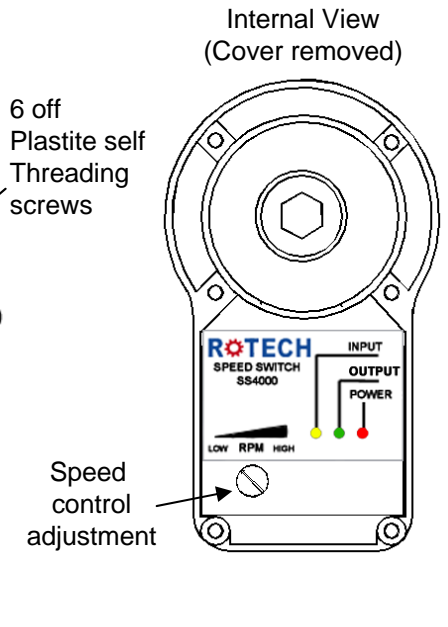
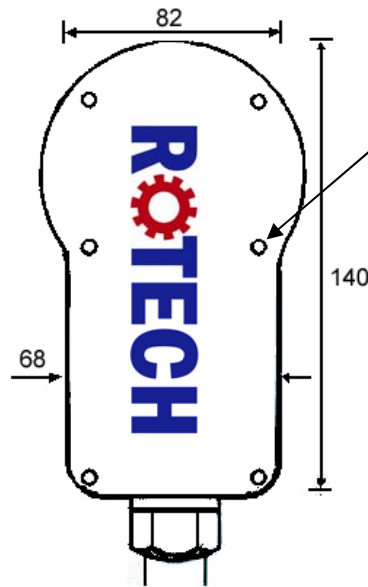
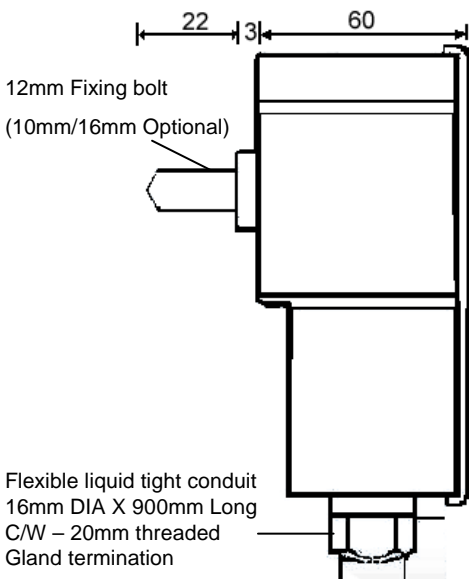
**RECOMMENDED MINIMUM**

**SHAFT DIAMETER FOR FITTING=35MM**



# Dimensions and Installation Information

Shown in millimetres



## Electrical Outputs

**Available Pulse Rates (PPR)**  
1,2,4,5,6,8,10,12,16,20,30,32,40.

Typical Part No. Example: **SS - 20 - VCT**  
4000 Series Speedswitch PPR Output Type

<p><b>TYPE OSR</b> Relay Switched</p>		<p>Output relay Single Pole Rated 30V 1 Amp</p> <p>6 VDC or 12 VDC or 24 VDC</p>
<p><b>TYPE VCT</b> Transistor</p>		<p>10 to 30 VDC or 5 to 15 VDC (N.P.N + P.N.P - 3 wire) Bi-polar - Current sink/source</p>
<p><b>TYPE COR</b> Relay Changeover Contact</p>		<p>Supply 120/240 VAC 50/60 Hz</p> <p>Output relay S.P.C.O (Volt Free) Rated 230V 2 Amp</p>

**IMPORTANT**  
Health and safety  
Rotech SS4000 series speed switches

These units must only be installed and commissioned by qualified and experienced personnel.

Units must only be installed in positions where the speed adjustment can be carried out without exposing personnel to any danger.

If units are installed inside machine guards or in a position that could expose personnel to any danger, they should be set up and adjusted on a separate variable speed drive in a safe area, workshop, etc.



Website: [www.rotechsystems.com.au](http://www.rotechsystems.com.au)  
Email: [info@rotechsystems.co.uk](mailto:info@rotechsystems.co.uk)

