

WE 5000 Series Conveyor Belt Wheel Sensor Utilising AE series sensors

For monitoring belt speed, slip & distance measurement

Tough, robust and easily installed, units are designed for long and durable service in the harshest of environments.

For monitoring:

- Belt speed
- Belt slip
- Belt Stopped
- Belt Weighers (Tachometer)
- Distance/length measurement
- Rotation control/sequencing

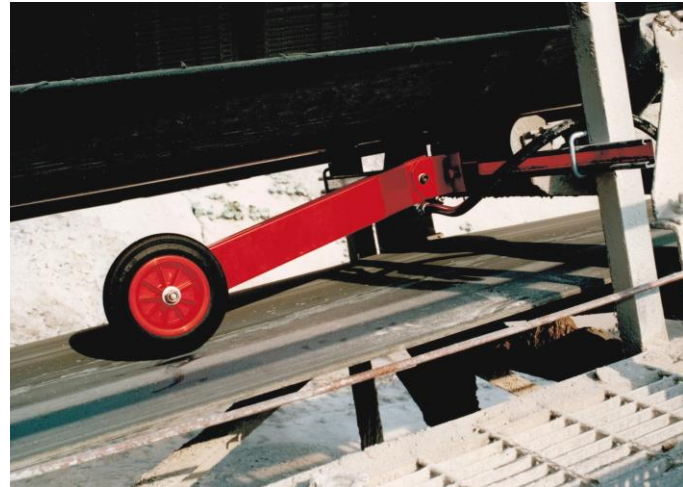
APPLICATION EXAMPLE:

'Rotech'

Speed Relays or PLC

SR4000

AUE400



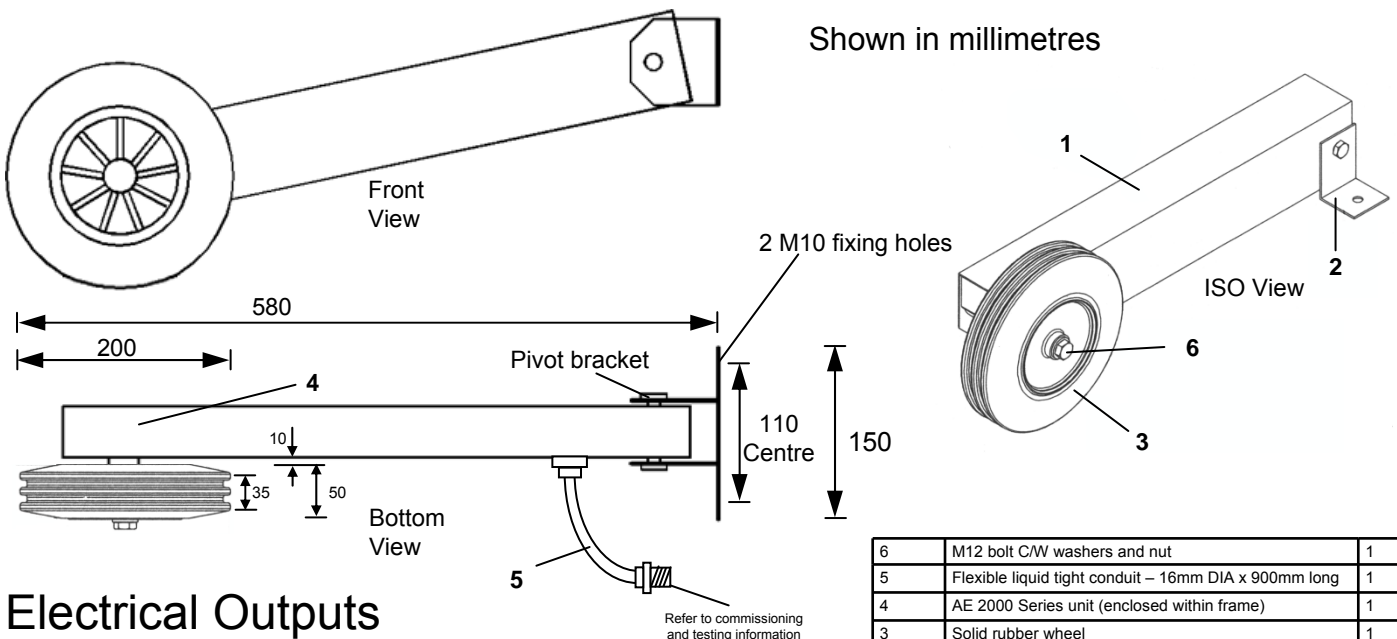
Pulse Output

FEATURES:

- Totally enclosed & self contained trailing arm running on return side of conveyor belt
- Maintenance free for maximum reliability
- Non standard wheel diameters available
- "Rapid fix" installation kits available
- 1 to 1000 pulses per revolution (multiple outputs ac/dc supply voltages)
- Environment ingress - IP67
- 25 to +100 deg Celsius versions



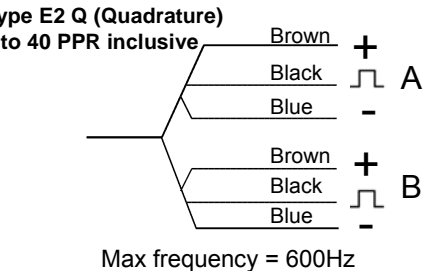
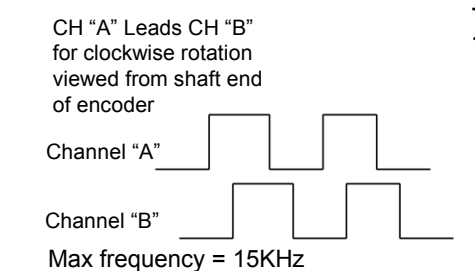
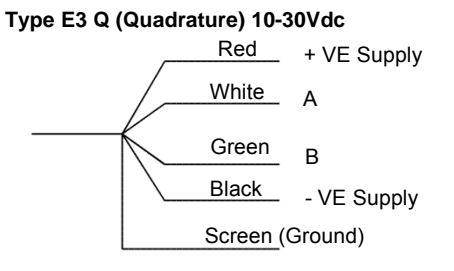
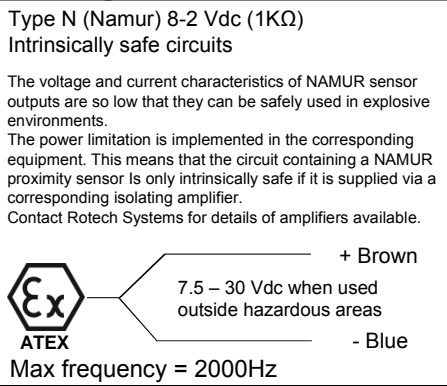
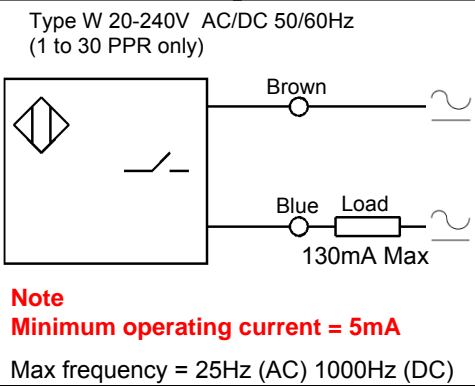
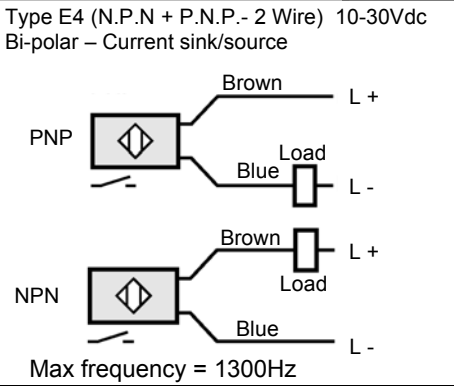
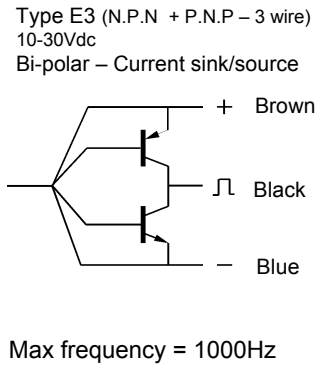
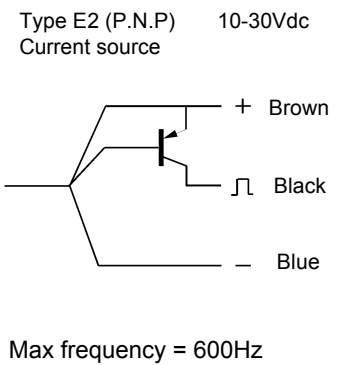
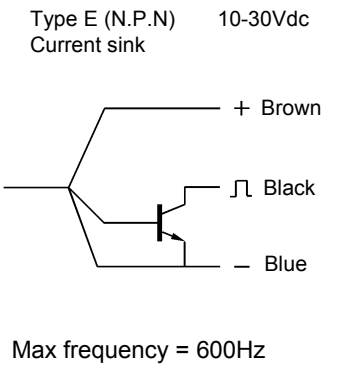
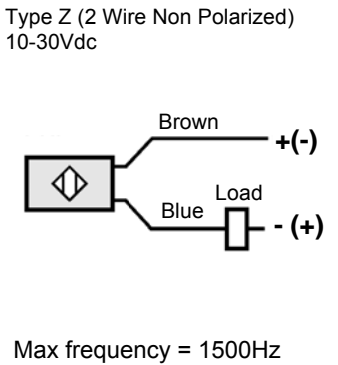
Dimensions and Installation Information



6	M12 bolt C/W washers and nut	1
5	Flexible liquid tight conduit – 16mm DIA x 900mm long	1
4	AE 2000 Series unit (enclosed within frame)	1
3	Solid rubber wheel	1
2	Pivot bracket	2
1	Fabricated steel frame	1
Item	Description	Qty

Electrical Outputs

Available Pulse Rates (PPR)
 1,2,4,5,6,8,10,12,16,20,30,32,40,50,60,100,120,180,240,250,300,360,500,1000
 (Dependent Upon Output Type)



Tel : +44 (0)151 356 2322 Website: www.rotechsystems.co.uk
 Fax: +44 (0)151 356 2437 Email: sales@rotechsystems.co.uk

